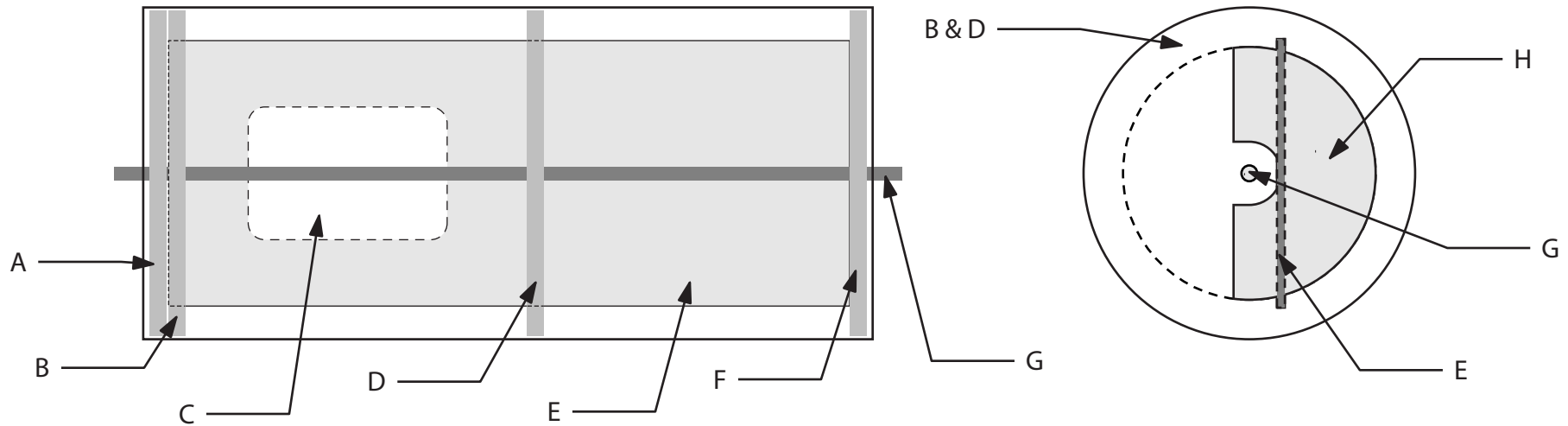


Just Married Rocket

John Coker
john@jcsww.com



Electronics Bay (above):

- A Removable (solid) top plate
- B Fixed (cut-out) top plate
- C Hatch cut into coupler wall
- D Fixed (cut-out) center plate
- E Slide-out electronics mounting plate
- F Fixed (solid) bottom plate
- G $\frac{1}{4}$ -20 threaded rod (bridles)
- H Cut-out shape in B and D plates

Overall Layout (below):

- I Main recovery area
- J Electronics bay (see detail above)
- K Drogue recovery area
- L Anti-zipper (rear ejection) coupler
- M 76mm motor mount tube
- N Bottle-shaped fins (3)
- O Loc PNC-5.38L (opened at bottom)

