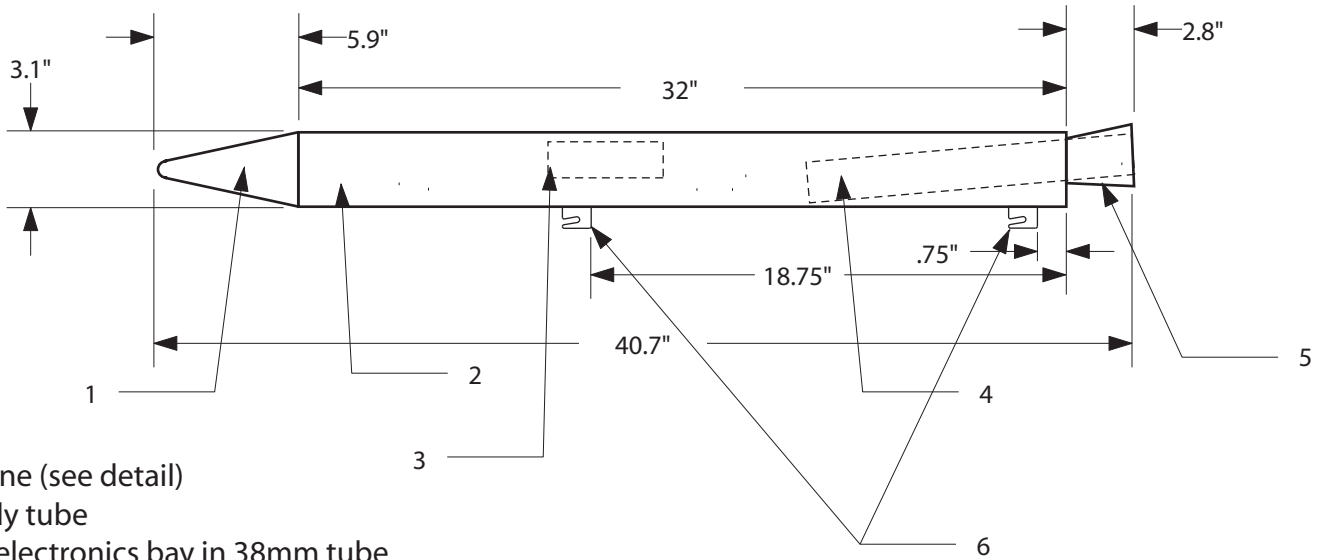
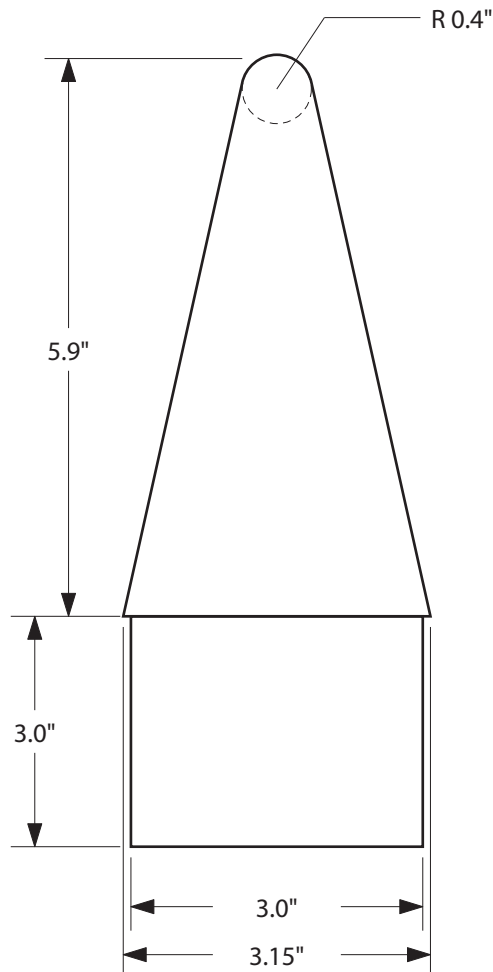


## Overall



1. Nose cone (see detail)
2. 3.0" body tube
3. 6" long electronics bay in 38mm tube
4. 38mm MMT at 5° angle (14" long)
5. Nozzle (see detail)
6. Drop-away clips

## Nose Cone



## Nozzles (small and large)

